

# F-2322C

PANEL CONE SPEAKER

The F-2322C ceiling and wall-mounted speaker covers an extremely wide area and can be used for 25, 70 and 100 V line applications. Well-balanced sound can be heard uniformly at any location.



Article number:F-2322C EU

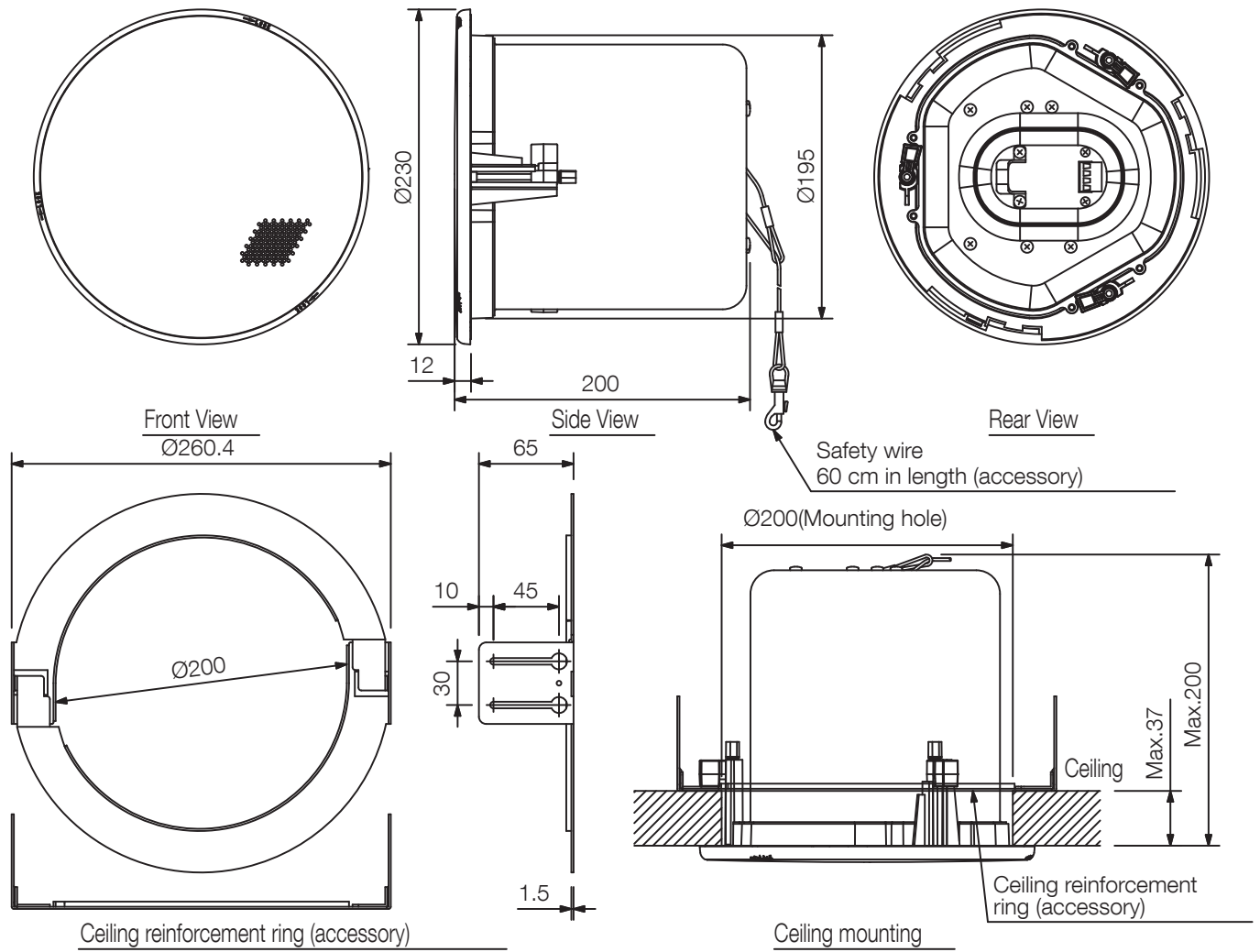
## Specifications

Sensitivity (1#W, 1#m)	90 dB
Frequency response.	70 Hz - 20 kHz (-10 dB)
Tappings	30 / 10 / 3 / 1 W (100 V), 30 / 15 / 5 / 1.5 / 0.5 W (70 V), 8 Ω
Rated input (low impedance)	Continuous pink noise: 60 W (8 Ω), Continuous program: 120 W (8 Ω)
Rated impedance	8 Ω
Speaker component	12 cm cone-type
Finish.	Steel plate, Fire-resistant ABS resin (resin material grade: UL-94 V-0), cream white (RAL 9001 or equivalent),

# F-2322C

PANEL CONE SPEAKER

Appearance



UNIT:mm SCALE:1/5